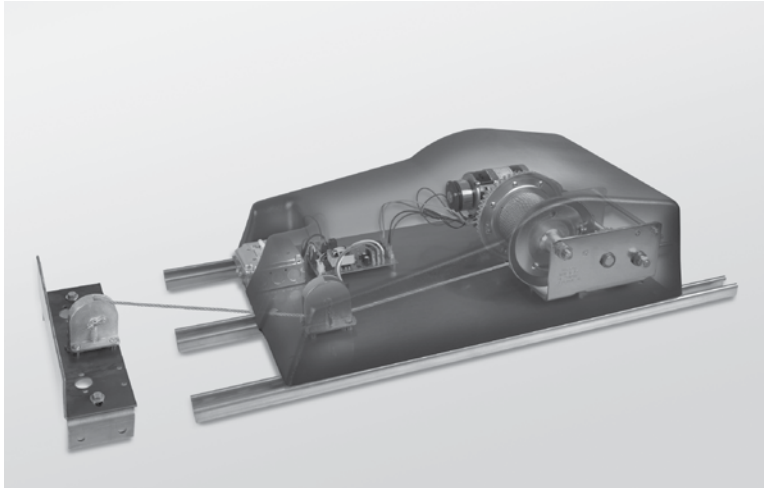


ALADDIN[®]

ALL700RM-3300W

INSTALLATION INSTRUCTIONS



Aladdin[®] Light Lift, Inc.
61 Shields Road
Huntsville, AL 35811

(256) 429-9700
(877) 287-4601
www.aladdinlightlift.com

Patent #5105349

WARNING: Disconnect power source before servicing to avoid electrical shock

CAUTION: To Reduce the Risk of Electric Shock or Injury, Use Indoors Only.

Light and motor circuits are rated at AC 110V

Pour usage seulement dans un endroit

Avec acces au dessus du plafonds

Model Number: ALL700RM (700lb. rated working load, 7/32" steel galvanized lay cable,
1.67amp, 50/60Hz)

Light lift is equipped with a 65' cable unless checked below:

 90'
 120'

Light lift is equipped with two 1,650 watt (15 amp)
lighting circuits. Total capacity 3300 watts.



Electric Hoist

Manufacture Date

© 2013 All Rights Reserved

91F5

Read the following guidelines prior to installing the ALL700RM:

- I. The ALL700RM must be installed by a licensed, bonded, and insured electrician.
- II. The ALL700RM must be installed in an accessible location.
- III. Thoroughly read, understand, and follow each step and safety warning in the ALL700RM installation instructions and orange safety precautions supplement.
- IV. Motor pulley, directional pulley(s), and chandelier pulley must be installed on the same plane. Do not install the ALL700RM with lateral cable direction changes.
- V. During installation of the ALL700RM, take one step at a time and check off each step upon completion.
- VI. Call Aladdin Light Lift (877) 287-4601 if assistance is needed for installation and/or operation of the ALL700RM. Refer to the Keyswitch Controller Guide or SmartLift Controller Guide for operation instructions.
- VII. Ignoring any safety warnings and/or symbols not only voids the warranty, but may cause death, personal injury, and/or property damage.
- VIII. The wattage of the chandelier can not exceed the wattage capacity of the ALL700RM.
- IX. Give all Aladdin paperwork to property owner and/or anyone that will be using the ALL700RM.

ALL700RM Parts Bag List



A. 5/16" x 2" Lag Bolts (QTY 6)



B. 5/16" x 1 1/4" Fender Washers (QTY 6)



C. Screw Collar Ring (QTY 1)



D. Thread Lock (QTY 1)



E. 3/32" Allen Wrench (QTY 1)



F. 3/8 IPS x 1/2 IPS Fixture Coupler (QTY 1)

ALL700 RM Hardware Box List



5/16" USS Flat Washers

(QTY 4)



3/8" Nylon Lock Nuts

(QTY 2)



3/8" x 1 1/4" Hex Tap Bolts

(QTY 2)



7/16" x 4" Hex Tap Bolt

(QTY 4)



3/8" USS Flat Washers

(QTY 8)



7/16" Nylon Lock Nuts

(QTY 4)



Side Brackets for Chandelier Pulley Bracket

(QTY 2)



Flat Brackets

(QTY 2)
per directional pulley (optional)



7/16" x 3 1/4" Hex Head

(QTY 2)
per directional pulley (optional)



3/8" USS Flat Washers

(QTY 4)
per directional pulley (optional)



7/16" Nylon Lock Nuts

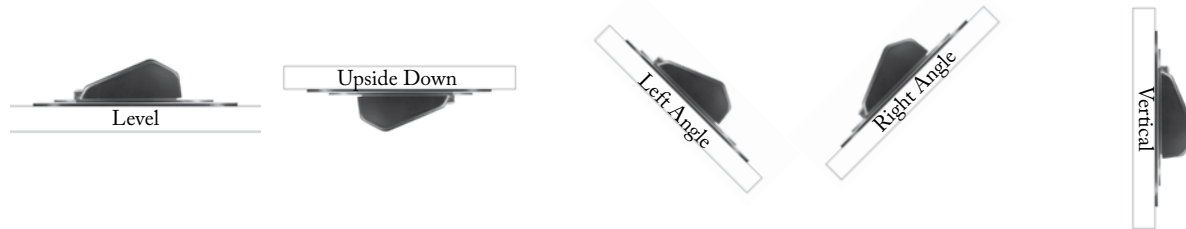
(QTY 2)
per directional pulley (optional)

STEP 1

Determine mounting location of ALL700RM motor assembly. The ALL700RM may be mounted on an angle, vertically, horizontally or upside down, if secured properly. See [Diagram A](#).

! Never install the ALL700RM where the ceiling height and total cable run through the pulleys exceeds five feet less than the exact length of winch cable. For example, if the ALL700RM is equipped with a 65ft. cable do not install the ALL700RM with a ceiling height and total cable run that is greater than 60ft. This could cause the cable to become reverse wrapped on the winch. An ALL700RM installed with a reverse wrapped cable could cause the chandelier to fall, which could cause death, personal injury, and/or property damage. Winch cable length can be found on the ALL700RM product sticker, shipping box, and the front page of these installation instructions.

[Diagram A](#)

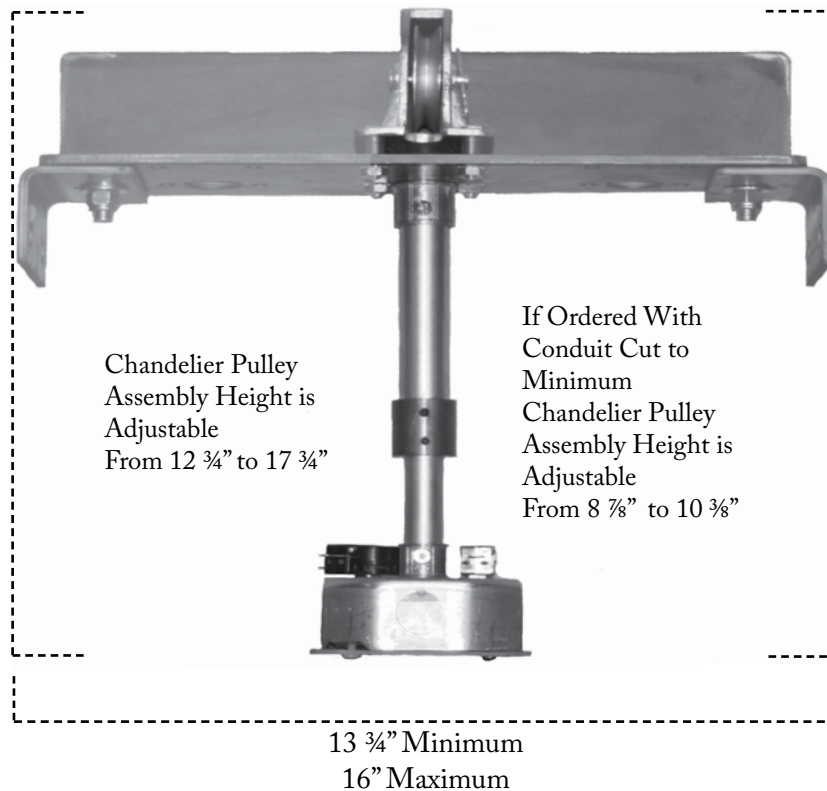


STEP 2

Determine mounting location of chandelier pulley assembly. Chandelier pulley assembly must be mounted directly above where chandelier will hang. See [Diagram B](#).

! Never mount the chandelier pulley assembly off plane or unlevel in a remote installation. This could cause the chandelier to fall, which could cause death, personal injury, and/or property damage. The winch cable must hang plumb through the center of the top contact plate on the ceiling box.

[Diagram B](#)

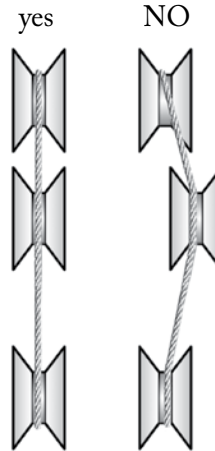
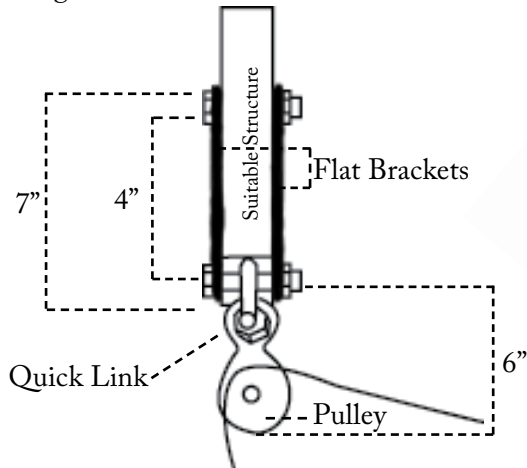


STEP 3

Determine mounting location of directional pulleys if they are to be installed with ALL700RM. Directional pulleys can be used to change winch cable direction, up or down, between motor pulley and chandelier pulley. See [Diagram C](#).

! Never mount directional pulleys off plane in a remote installation. This could cause the chandelier to fall, which could cause death, personal injury, and/or property damage.

[Diagram C](#)

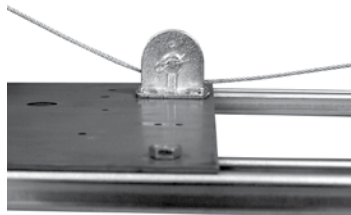


STEP 4

Determine that cable position on motor pulley is correct for installation. ALL700RM is equipped with cable running under motor pulley. See [Diagram D](#).

! Never position cable on motor pulley improperly. This could damage the cable which could cause the chandelier to fall, which could cause death, personal injury, and/or property damage.

[Diagram D](#)



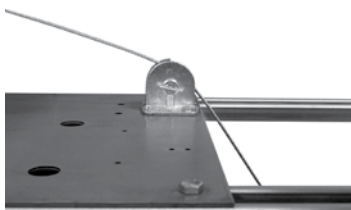
Under

STEP 5

If cable rubs on motor pulley housing or motor assembly plate, change cable configuration so that cable runs over motor pulley. See [Diagram E](#).

! Never position cable on motor pulley improperly. This could damage the cable which could cause the chandelier to fall, which could cause death, personal injury, and/or property damage.

[Diagram E](#)



Over

STEP 6

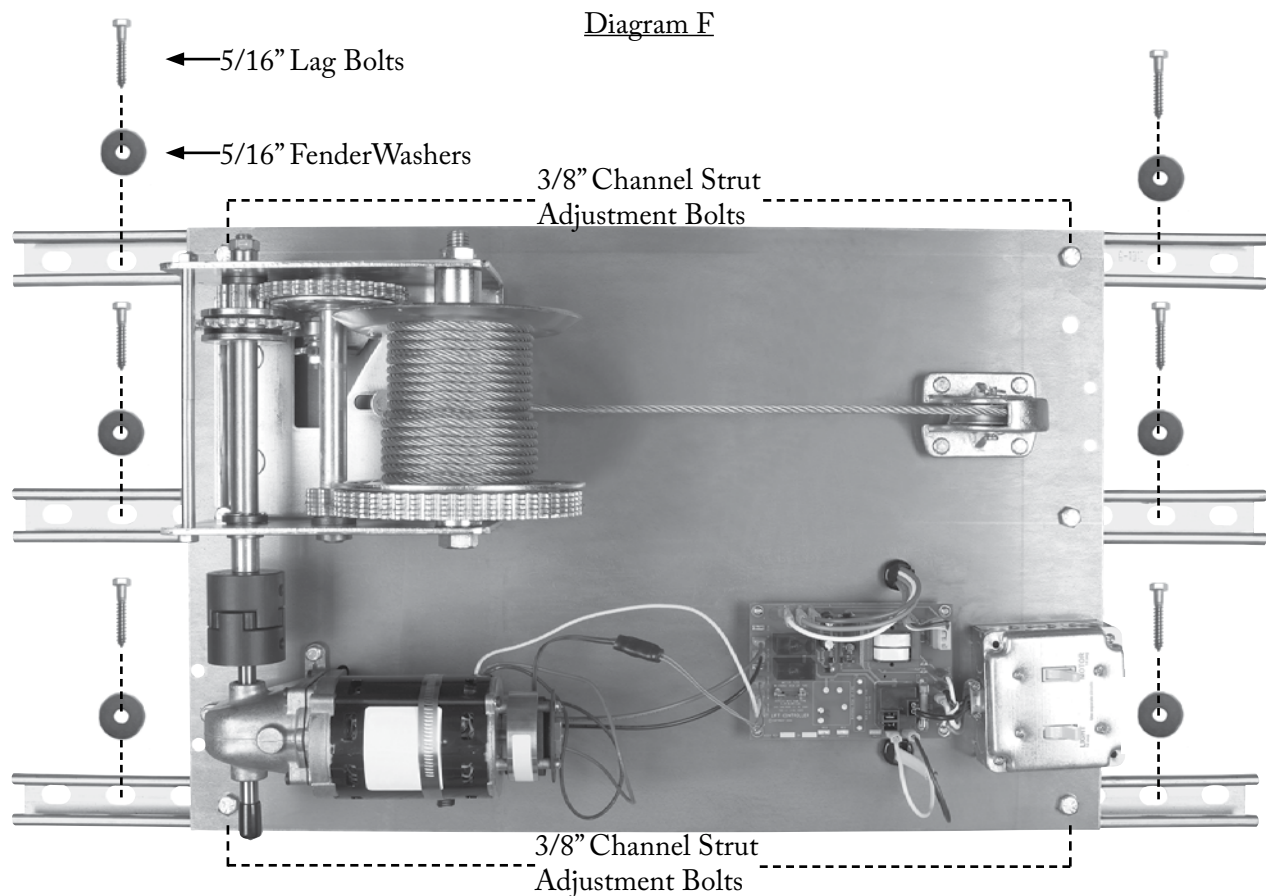
Position ALL700RM motor assembly where it will be mounted. Adjustments can be made loosening 3/8" channel strut bolts that hold ALL700RM motor assembly to channel struts. Retighten channel strut bolts after adjustments are made. Confirm strut nuts are seated properly. See [Diagram F](#).

⚠ Never adjust the channel struts improperly. This could cause the chandelier to fall, which could cause death, personal injury, and/or property damage.

STEP 7

Securely fasten ALL700RM motor assembly to a suitable structure using 5/16" lag bolts and 5/16" fender washers included in parts bag. See [Diagram F](#).

⚠ Never install the ALL700RM without properly fastening it to a suitable structure. This could interfere with the safety and operation of the ALL700RM and could cause the chandelier to fall, which could cause death, personal injury, and/or property damage.



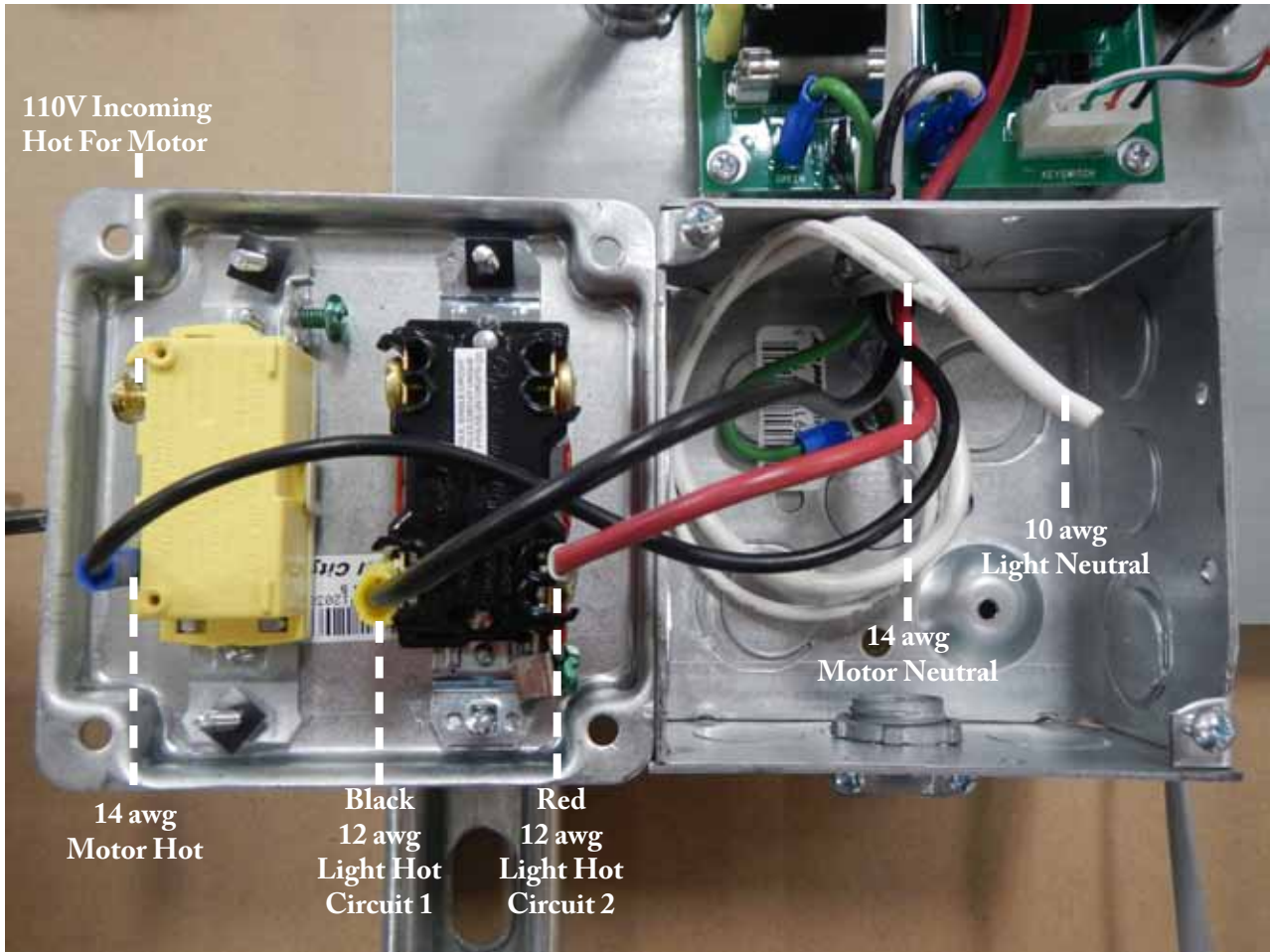
STEP 8

Turn off supply power before wiring ALL700RM motor switch. Turn off motor switch in square box. Wire motor switch with 110V wiring. The 110V motor feed must be kept separate from 110V light switch leg. Keep motor and light neutrals separate. Motor neutral is white and 14 gauge. Only wire motor switch at this time. See [Diagram G](#).

⚠ Never wire the ALL700RM improperly. Make sure electricity is turned off when installing and/or performing maintenance on the ALL700RM. Improper wiring and/or electricity could cause death, personal injury, and/or property damage.


Diagram G

Do Not Wire Light
Switch At This Time



STEP 9

Remove dust cover and remove paper tape from winch drum while keeping tension on winch cable.


 **Never operate the ALL700RM without tension on the cable. Never remove or tamper with the cable safety device. Never install an ALL700RM that has the cable safety device removed or tampered with. The cable safety device consists of the limit switch and small gauge rectangular wire and is located directly in front of the winch drum. Removing or tampering with the cable safety device could cause the cable to become reversed wrapped on the winch and could also cause the cable to unravel off the winch drum and get damaged. Never install or operate an ALL700RM that has a frayed, kinked, or otherwise damaged cable. Never operate the ALL700RM without first removing the paper tape from the winch drum. Avoiding any of these could cause the chandelier to fall, which could cause death, personal injury, and/or property damage.**


STEP 10

Replace dust cover and locate controller wire. Controller wire is a low voltage, gray sheathed, four conductor wire with white plugs on either end.

STEP 11


Plug controller to controller wire and operate motor down to extend winch cable to desired length for installation. Do not operate motor up. Reference SmartLift Controller guide for operation instruction. Keep tension on cable at all times.

 **Never extend the full length of winch cable from the ALL700RM. This could cause the cable to become reverse wrapped on the winch. An ALL700RM installed with a reverse wrapped cable can cause the chandelier to fall, which could cause death, personal injury, and/or property damage. Refer to the Keyswitch or SmartLift Controller tag for correct operating instructions. Winch cable length can be found on the ALL700RM product sticker, shipping box, and on the front page of these installation instructions.**

 **Never operate the ALL700RM without tension on the cable. Never remove or tamper with the cable safety device. Never install an ALL700RM that has the cable safety device removed or tampered with. The cable safety device consists of the limit switch and small gauge rectangular wire and is located directly in front of the winch drum. Removing or tampering with the cable safety device could cause the cable to become reversed wrapped on the winch and could also cause the cable to unravel off the winch drum and get damaged. Never install or operate an ALL700RM that has a frayed, kinked, or otherwise damaged cable. Never operate the ALL700RM without first removing the paper tape from the winch drum. Avoiding any of these could cause the chandelier to fall, which could cause death, personal injury, and/or property damage.**

STEP 12

Proceed to step 13 unless bottom contact plate must be removed. Follow Diagram H *if and only if* bottom contact plate must be removed from winch cable. Diagram H must be followed precisely for proper detachment and reattachment procedure. Diagram H is on next page.

 **Never stray from or alter the contact plate attachment/reattachment procedure. This could cause the chandelier to fall, which could cause death, personal injury, and/or property damage.**


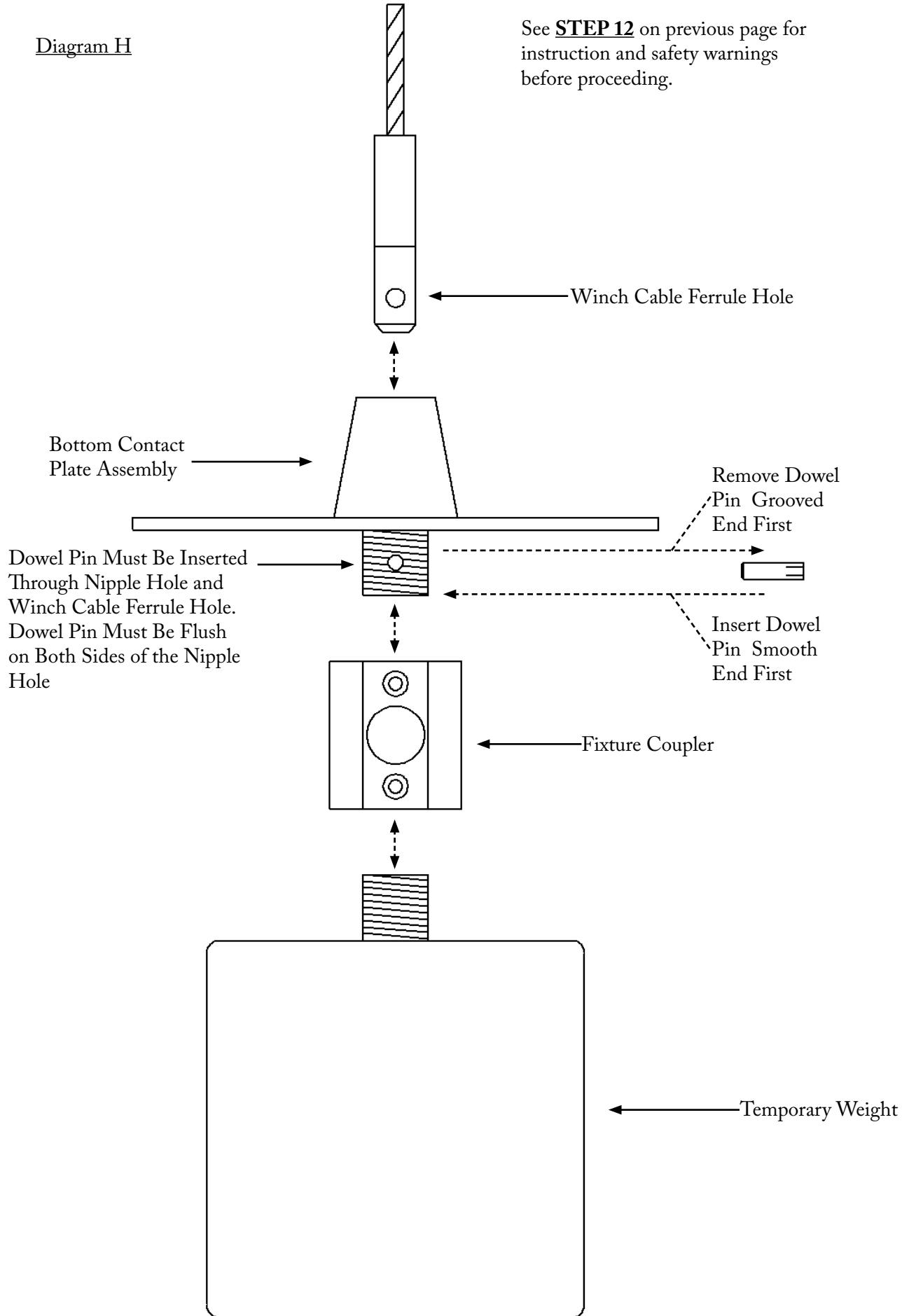
 **Never detach the winch cable from the winch drum. This could cause the chandelier to fall, which could cause death, personal injury, and/or property damage.**

Diagram H

See **STEP 12** on previous page for instruction and safety warnings before proceeding.



STEP 13

After turning off power, remove and discard existing electrical box if present in ceiling. Only use ceiling box provided with ALL700RM.

⚠ Never remove an existing ceiling box while the power is connected. Electricity could cause death, personal injury, and/or property damage.

STEP 14

Cut a 4 1/2" hole in ceiling for ceiling box. If you removed an existing ceiling box, existing hole may need to be enlarged.

STEP 15

Tighten temporary weight to fixture coupler on bottom contact plate. Make sure jam nut on weight is tight.

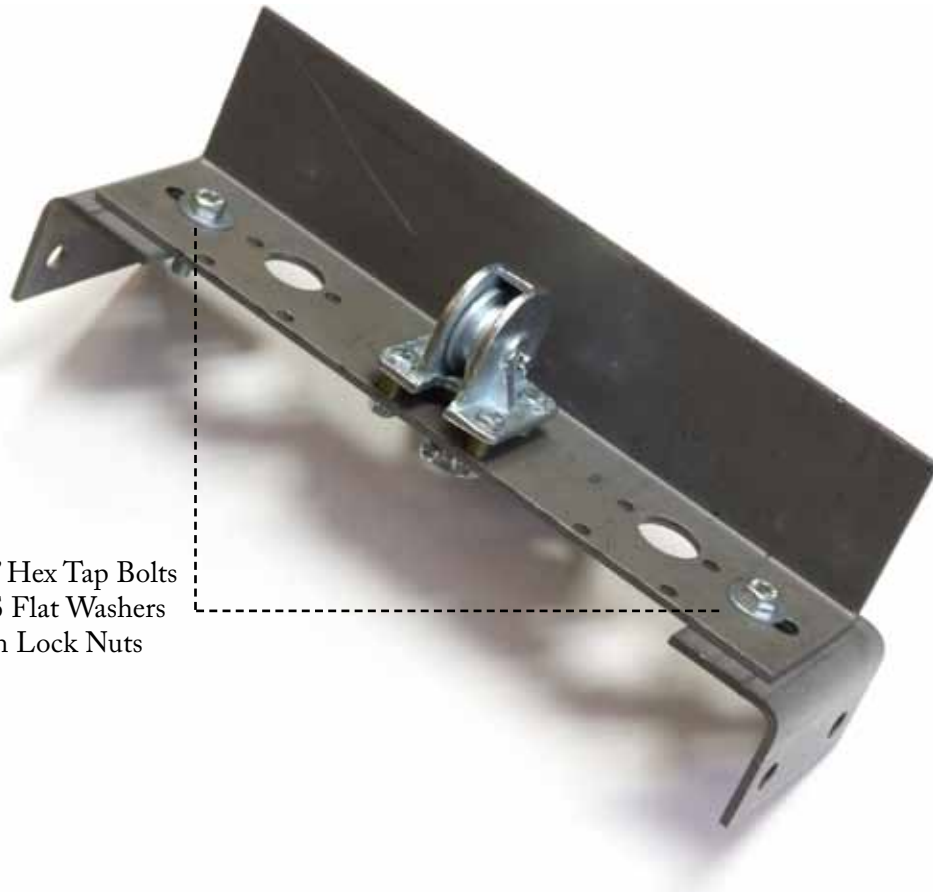
⚠ Never install or operate an ALL700RM before securing the temporary weight to the fixture coupler. This could cause the temporary weight to fall, which could cause death, personal injury, and/or property damage.

STEP 16

Fasten side brackets to chandelier pulley bracket using 3/8" x 1 1/4" hex tap bolts, 3/8" nylon lock nuts, and 5/16" USS flat washers. See [Diagram I](#).

Diagram I

3/8" x 1 1/4" Hex Tap Bolts
5/16" USS Flat Washers
3/8" Nylon Lock Nuts



STEP 17

Attach conduit assembly to 3/4" conduit connector mounted below chandelier pulley. Once completely inserted, tighten set screw on conduit connector. See [Diagram K](#).

! Never attach or adjust the conduit assembly improperly. This could interfere with the automatic shutoff system and could cause the chandelier to fall, which could cause death, personal injury, and/or property damage.

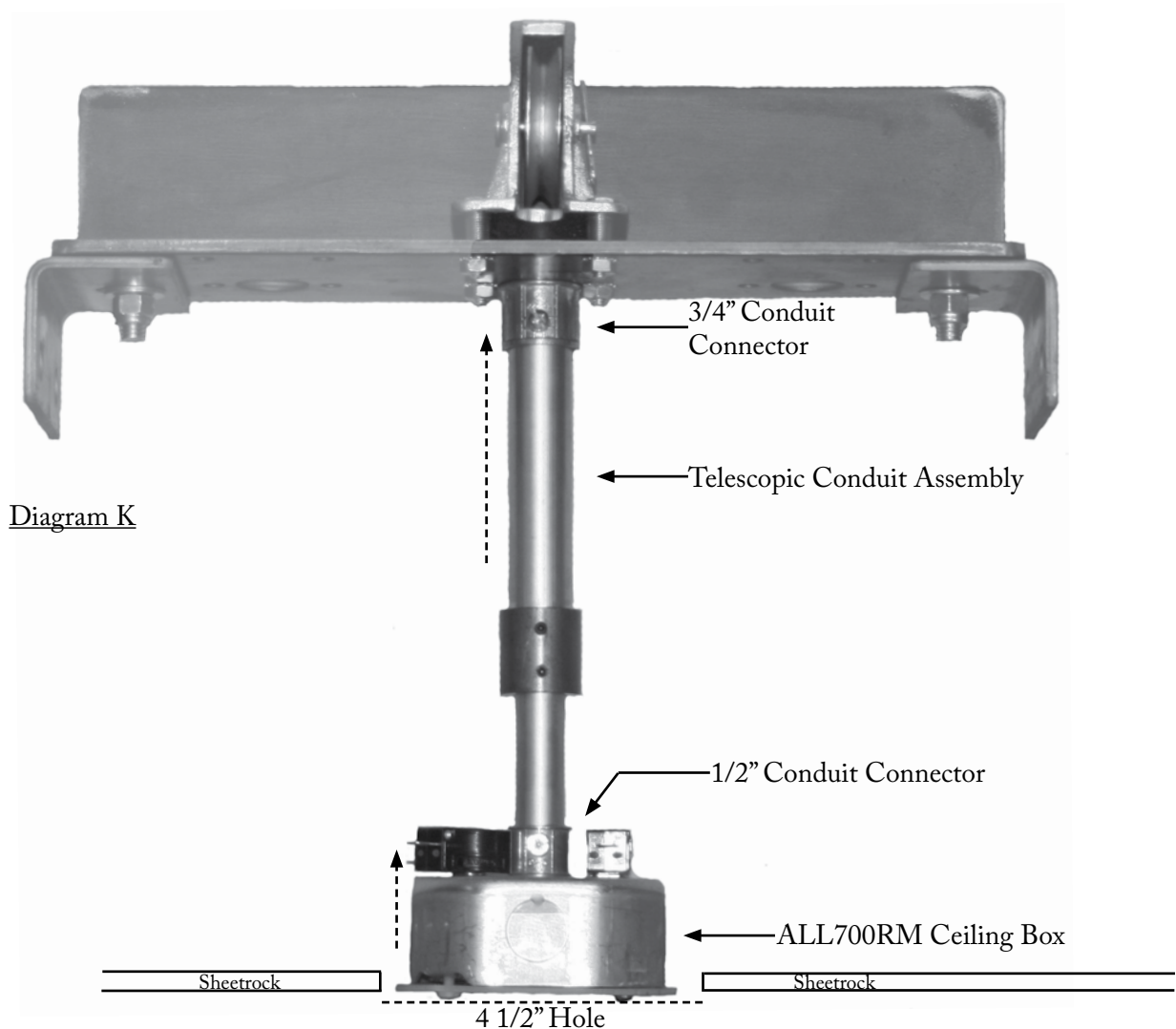
STEP 18

Attach 1/2" conduit connector on ceiling box to bottom of conduit assembly. Once completely inserted, tighten set screw on conduit connector. See [Diagram K](#).

! Never attach or adjust the conduit assembly improperly. This could interfere with the automatic shutoff system and could cause the chandelier to fall, which could cause death, personal injury, and/or property damage.

STEP 19

Position chandelier pulley assembly where ceiling box will be centered in ceiling hole. Weight and bottom contact plate assembly should hang down through ceiling hole. See [Diagram K](#).



STEP 20

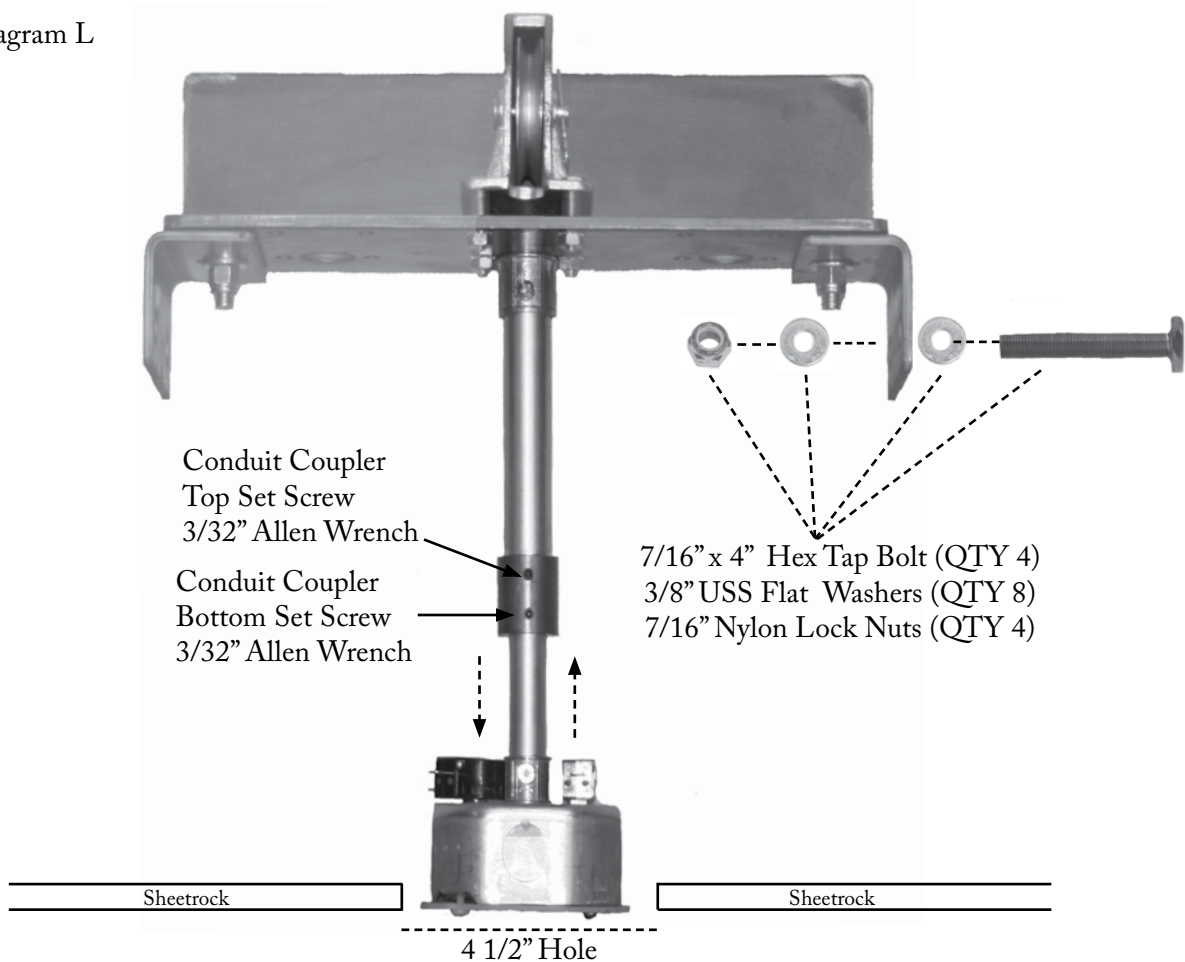
Loosely fasten chandelier pulley assembly to suitable structure using 7/16" x 4" hex tap bolts, 7/16" nylon lock nuts and 3/8" USS flat washers. See [Diagram L](#).

STEP 21

Adjust ceiling box elevation up or down to be flush with sheetrock. Use 3/32" Allen wrench on conduit coupler to loosen bottom set screw. Conduit is telescopic. The ceiling box should not touch inside of ceiling hole. Retighten bottom setscrew on conduit coupler and confirm top set screw is tight. See [Diagram L](#).

⚠ Never attach or adjust the conduit assembly and chandelier pulley assembly improperly. This could interfere with the automatic shutoff system and could cause the chandelier to fall, which could cause death, personal injury, and/or property damage.

Diagram L



STEP 22

Shim and adjust chandelier pulley assembly so that winch cable hangs plumb through center of hole in top contact plate on ceiling box. See [Diagram M](#). Look up at ceiling box from floor level to verify cable is plumb.

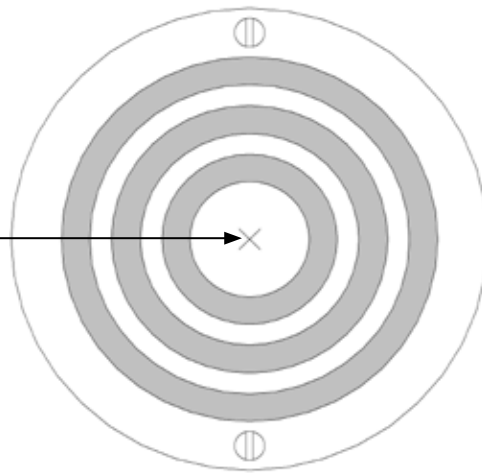
! Never install the ALL700RM where the cable is not plumb through the center of the ceiling box. This could interfere with the automatic shutoff system and could cause the chandelier to fall, which could cause death, personal injury, and/or property damage.

STEP 23

Securely tighten chandelier pulley assembly hardware and verify that winch cable hangs plumb through center hole in top contact plate on ceiling box. Look up at ceiling box from floor level to verify cable is plumb. See [Diagram M](#).

[Diagram M](#)

Confirm winch cable hangs plumb through center of hole in top contact plate on ceiling box.



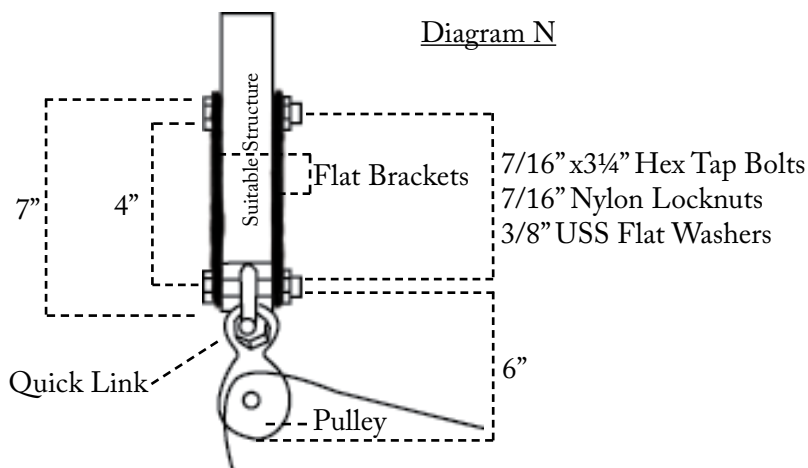
View from Floor Level

STEP 24

Install directional pulleys to suitable structure using 7/16" x 3 1/4" bolts, 7/16" nylon lock nuts, and 3/8" USS flat washers as per [Diagram N](#). Securely tighten hardware.

! Never install directional pulleys without properly fastening them to the structure. This could interfere with the automatic shutoff system and could cause the chandelier to fall, which could cause death, personal injury, and/or property damage.

! Never install directional pulleys and/or the chandelier pulley assembly off plane. Never install directional pulleys and/or the chandelier pulley assembly where there will be right and left hand turns in the winch cable. This could damage the winch cable and could cause the chandelier to fall, which could cause death, personal injury, and/or property damage. Make sure the winch cable travels straight to and from the pulley grooves of each pulley. Make sure the winch cable is completely unobstructed between pulleys.



yes

NO



STEP 25

Turn off supply power before wiring ALL700RM. Turn off light switch in square box. Wire light switch with 110V wiring. The 110V light switch leg can not be used as motor feed. Keep light and motor neutrals separate. The light neutral is white and 10 gauge. If wired properly, a dimmer may be used. See [Diagram O](#). **Wire Light Circuits on separate phases (2 hots - 1 neutral).**


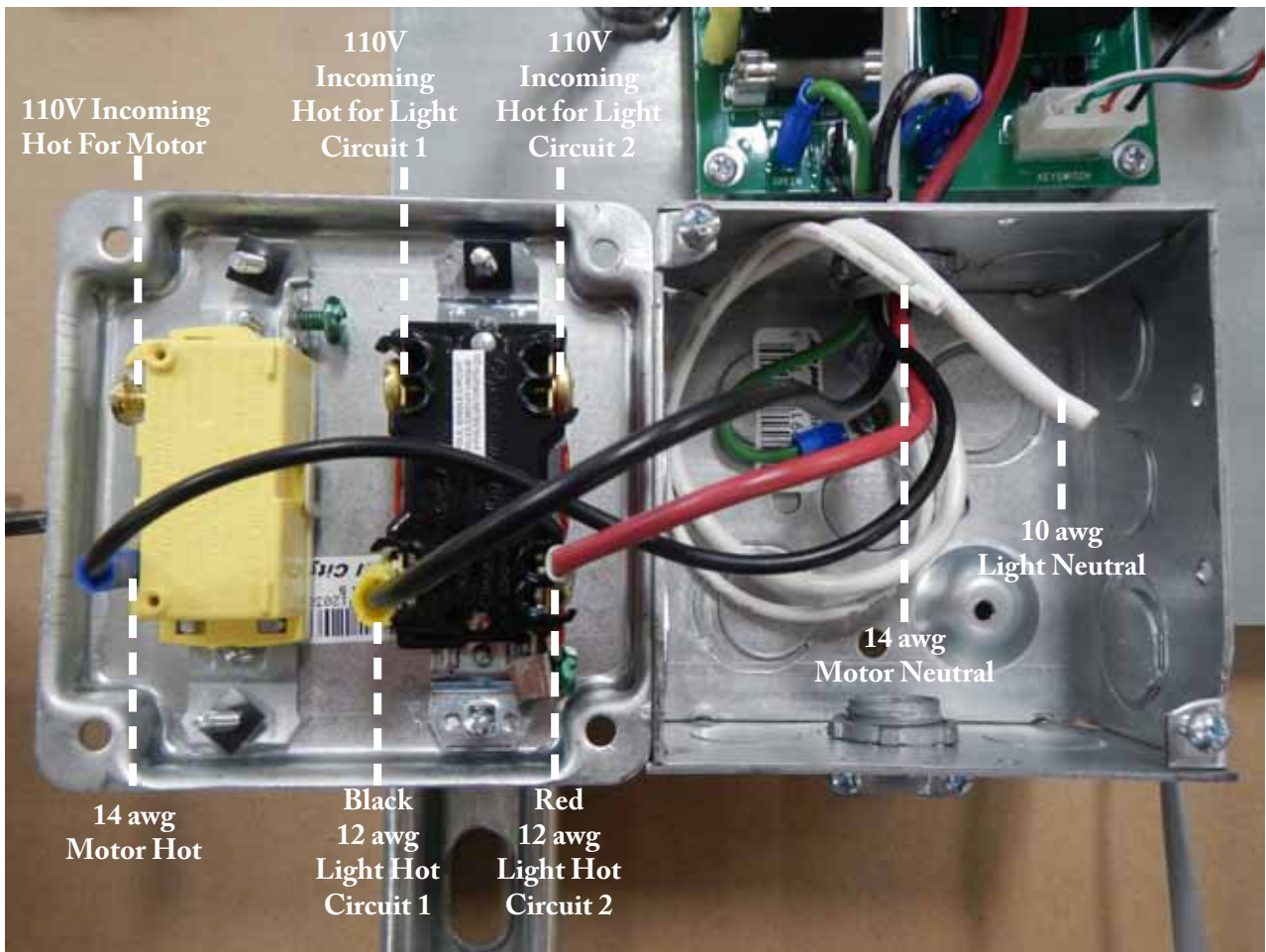
 **Never wire the ALL700RM improperly. Make sure electricity is turned off when installing and/or performing maintenance on the ALL700RM. Improper wiring and/or electricity could cause death, personal injury, and/or property damage.**

Diagram O



STEP 26

Run controller wire in to single gang box for Keyswitch Controller or optional SmartLift Controller. Chandelier must be visible from controller location.

STEP 27


Plug controller to controller wire. Use supplied cover plate screws to attach controller to single gang box.

STEP 28

Test motor and automatic shut-off system of ALL700RM. For operation instruction, reference SmartLift Controller Guide, then follow below:

Operate ALL700RM down a few inches. Operate ALL700RM up to CEILING POSITION. When ALL700RM pulls bottom contact plate and temporary weight to the CEILING POSITION, the motor will, if installed and adjusted properly, shut off by itself.

Call Aladdin Light Lift (877) 287-4601 if ALL700RM does not shut off at CEILING POSITION.

 **Never extend the full length of winch cable from the ALL700RM. This could cause the cable to become reverse wrapped on the winch. An ALL700RM installed with a reverse wrapped cable can cause the chandelier to fall, which could cause death, personal injury, and/or property damage. Refer to the Keyswitch or SmartLift Controller tag for correct operating instructions. Winch cable length can be found on the ALL700RM product sticker, shipping box, and on the front page of these installation instructions.**

STEP 29

Operate ALL700RM to the DOWN POSITION. Temporary weight should be at desired elevation to install chandelier.

STEP 30

Holding tension on winch cable, unscrew temporary weight from fixture coupler.

 **Never operate the ALL700RM without tension on the cable. This could cause the cable to wind off the winch drum and get damaged. A damaged cable could cause the chandelier to fall, which could cause death, personal injury, and/or property damage.**

STEP 31

Fully thread screw collar loop or threaded stem that was supplied with chandelier to 3/8 IPS fixture coupler. If chandelier was supplied with a 1/2 IPS screw collar loop, obtain 3/8 IPS x 1/2 IPS fixture coupler included in parts bag. If chandelier was supplied with a 1/4 IPS screw collar loop or threaded stem, contact Aladdin Light Lift (877) 287-4601 to obtain proper coupler. See [Diagram P](#).

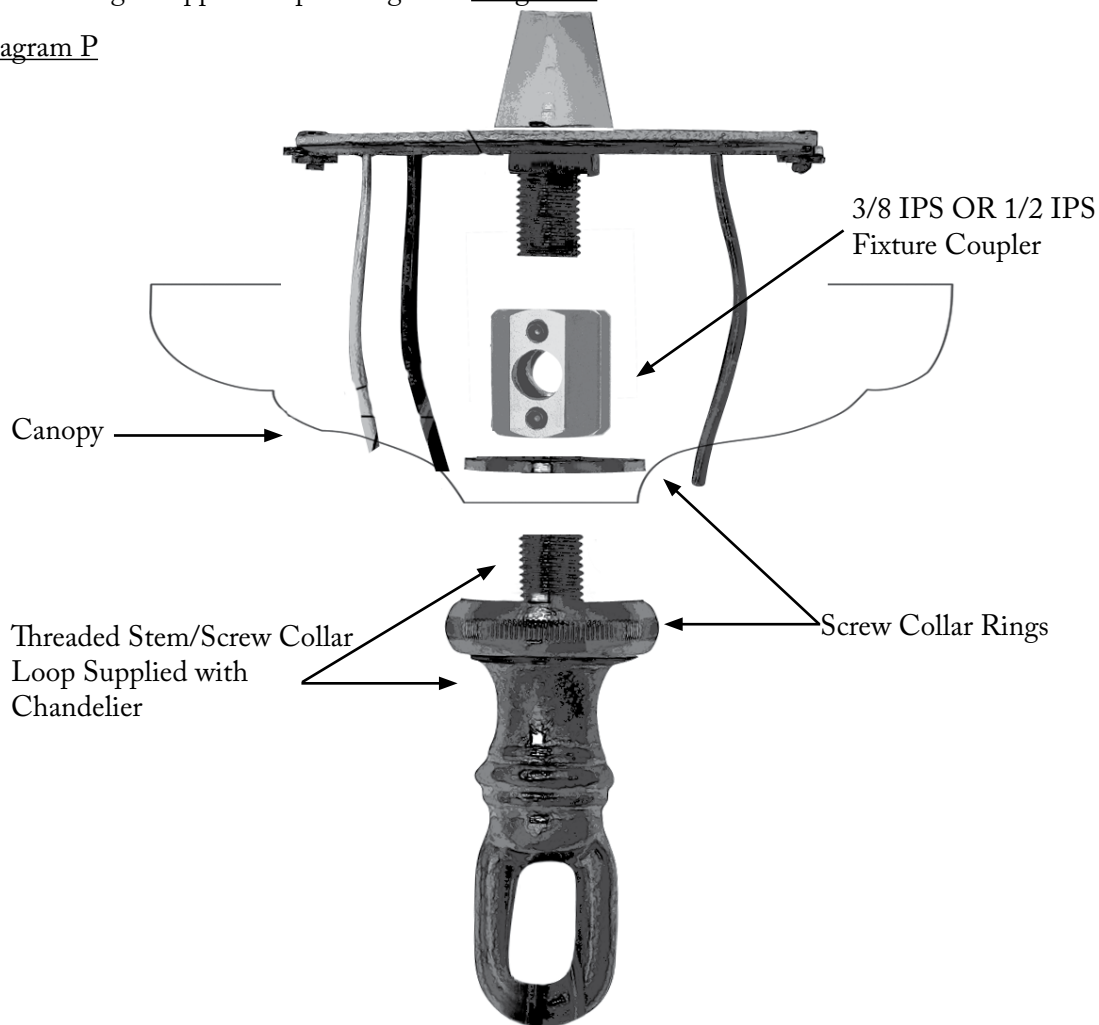
! Never install a chandelier on an ALL700RM using metric threaded fittings. They will not thread together properly and could cause the chandelier to fall, which could cause death, personal injury, and/or property damage. Only use IPS threaded fittings.

! Never hang a chandelier from an ALL700RM using anything but the Aladdin Light Lift supplied fixture coupler, bottom contact plate, and dowel pin. This could cause the chandelier to fall, which could cause death, personal injury, and/or property damage.

STEP 32

Attach chandelier canopy to screw collar loop using screw collar rings on both top and bottom. An extra screw collar ring is supplied in parts bag. See [Diagram P](#).

[Diagram P](#)



STEP 33

Adjust chandelier chain to desired length and attach to screw collar loop.

! Never cut, modify, or adjust the winch cable and never install an ALL700RM with a cut, modified or adjusted winch cable. Adjust the chandelier elevation by adjusting the chandelier chain or stem. An ALL700RM installed with a cut, modified, or improperly adjusted cable could cause the chandelier to fall, which could cause death, personal injury, and/or property damage.

STEP 34

Adjust screw collar rings so top of canopy is just below edge of bottom contact plate. Canopy should be at least 1 3/4" deep. See [Diagram R](#).



Never allow the chandelier canopy to make contact with the ceiling before the contact plates meet. This could interfere with the automatic shutoff system and could cause the chandelier to fall, which could cause death, personal injury, and/or property damage.

STEP 35

Loosen bottom screw collar ring to allow easy wire access. See [Diagram R](#).

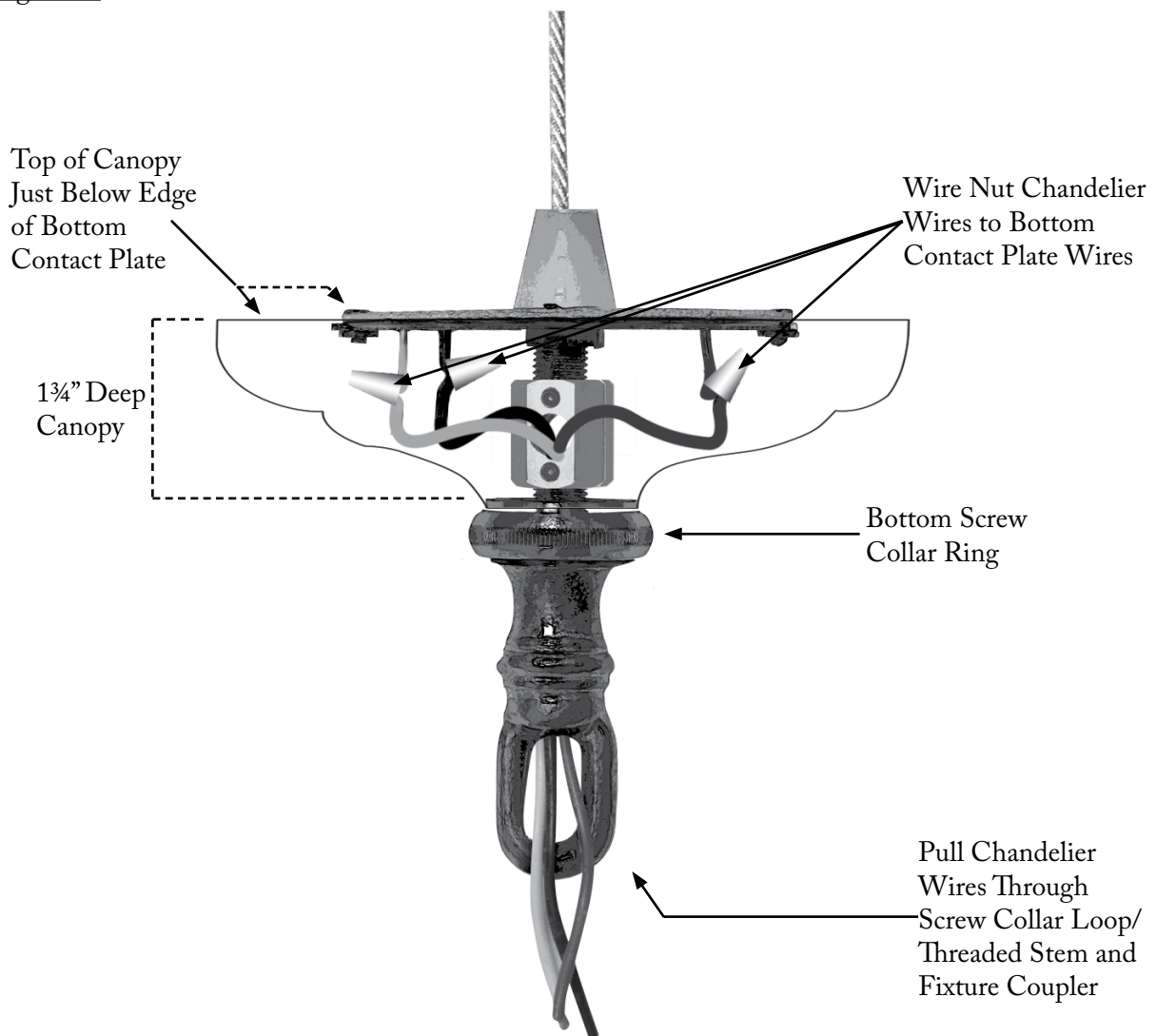
STEP 36

Run chandelier wires through screw collar or threaded stem and pull through fixture coupler holes. See [Diagram R](#).

STEP 37

Wire nut chandelier wires to bottom contact plate wires. Black (hot circuit 1), Red (hot circuit 2), white (neutral), and green (ground). See [Diagram I](#). Bare ground wire from chandelier can not touch underside of bottom contact plate. A direct short will occur.

[Diagram R](#)



STEP 38

Tighten fixture coupler set screws using supplied 3/32" Allen wrench. Fixture coupler set screws have thread lock already applied at factory. See [Diagram S](#).

STEP 39

Apply supplied liquid thread lock to all fittings including fixture coupler and screw collar loop fittings. See [Diagram S](#).

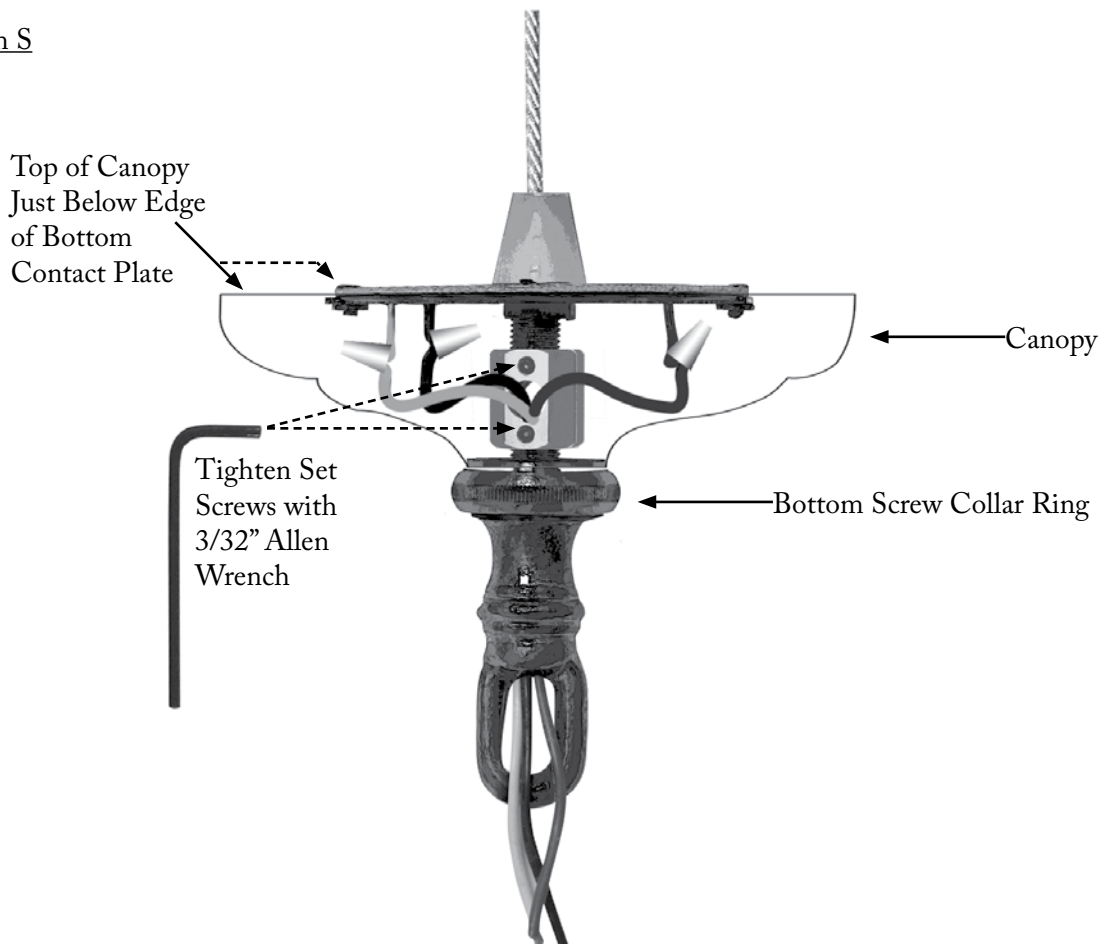
! Never attach the chandelier to the ALL700RM improperly. Failure to secure the fixture coupler set screws and properly apply thread lock could cause the chandelier to fall, which could cause death, personal injury, and/or property damage.

STEP 40

Replace canopy and bottom screw collar ring. Confirm top of canopy is just below edge of bottom contact plate. See [Diagram S](#).

! Never allow the chandelier canopy to make contact with the ceiling before the contact plates meet. This could interfere with the automatic shutoff system and could cause the chandelier to fall, which could cause death, personal injury, and/or property damage.

[Diagram S](#)

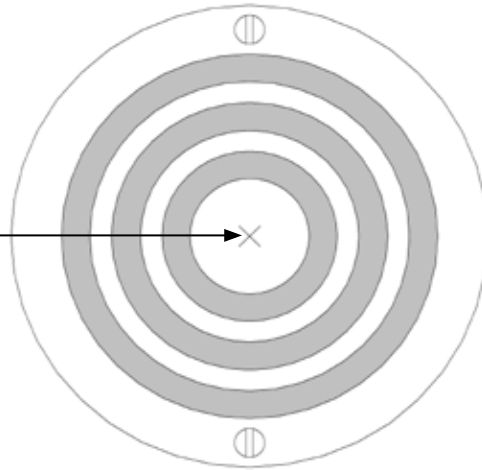


STEP 41

Confirm winch cable still hangs plumb through center of hole in top contact plate on ceiling box. See STEP 22 and Diagram M.

Diagram M

Confirm winch cable hangs plumb through center of hole in top contact plate on ceiling box.



View from Floor Level

STEP 42

Operate ALL700RM to the CEILING POSITION. Test lights and call Aladdin Light Lift (877) 287-4601 with any questions regarding installation and/or operation of ALL700RM.

ALL700RM TROUBLESHOOTING GUIDE

TECH SUPPORT: (877) 287-4601 Monday through Friday 8:00am to 4:00pm CST

I. Troubleshooting and installation must be performed by a licensed, bonded, and insured electrician. Electricity can cause death, personal injury, and/or property damage.

II. To perform most troubleshooting procedures, the following tools will be needed:

- a. 5/16" nut driver or 5/16" socket and ratchet
- b. Volt Meter
- c. 14 AWG jumper wire

III. Prior to troubleshooting or installation, read, understand and follow each safety warning in the ALL700RM installation instructions and safety precautions supplement. Failure to follow Aladdin's safety precautions and/or warnings could cause the chandelier to fall, which could cause death, injury, and/or property damage.

SYMPTOM: ALL700RM DOES NOT OPERATE:

Once ALL700RM is installed per the installation instructions, use the following steps to troubleshoot.

1. Confirm motor switch in the square box is turned on. The square box is mounted on the chassis plate of the ALL700RM, right in front of the control board. If it was found in the off position, flip it to the on position and use the controller to test the ALL700RM. If ALL700RM still does not operate, proceed to step 2.

2. Turn the motor and light switch in the square box to the off position. Using the 5/16" nut driver or socket, remove control board cover. Confirm motor fuse is good. The motor fuse is held to the control board by fuse clips and is located right in front of the motor assembly. Remove and perform a continuity test on the motor fuse. If the fuse reads continuity, place it back in the fuse clips. If it does not read continuity, it must be replaced with a good, 1.6 amp, slow blow fuse. Turn the motor and light switch in the square box to the on position, and use controller to test the ALL700RM. If the ALL700RM still does not operate, proceed to step 3.

3. Turn the motor and light switch in the square box to the off position. Confirm limit switch wires are attached properly. Confirm the limit switch wires are properly connected to the limit switch as well as the limit switch terminals on the control board. The limit switch is located on top of the ceiling box. The purple or white limit switch wire should be plugged from COM on the control board to the single terminal side of one limit switch. The orange or green limit switch wire should be plugged from NO on the control board to the top limit switch terminal on the double terminal side of the limit switch. The brown or red limit switch wire should be plugged from NC on the control board to the bottom limit switch terminal on the double terminal side of the limit switch. All three wires should be plugged to the same limit switch. If limit wires were found plugged incorrectly, plug them to their corresponding terminal and use the controller to test the ALL700RM. If the ALL700RM still does not operate, proceed to step 4.

4. From where the ALL700RM is installed, call Aladdin Light Lift technical support Monday through Friday during normal business hours at (877) 287-4601.

SYMPTOM: CHANDELIER WILL NOT LIGHT:

Once the ALL700RM is installed per the installation instructions, use the following steps to troubleshoot. Note: If the top contact plate is painted, the chandelier will not light.

ALL700RM TROUBLESHOOTING GUIDE cont.

1. Confirm ALL700RM is at the CEILING POSITION. If not, use the controller to operate the ALL700RM to the CEILING POSITION. Chandelier will only light at the CEILING POSITION. If operated to the CEILING POSITION and the chandelier will still not light, proceed to step 2.
2. Confirm light switch in the square box is turned on. The square box is mounted on the chassis plate of the ALL700RM, right in front of the control board. If it was found in the off position, flip it to the on position and to test the chandelier. If chandelier still does not light, proceed to step 3.
3. Turn the motor and light switch in the square box to the off position. Confirm light fuse is good. The light fuse is held to the control board by fuse clips and is located right in front of the light relay. Remove and perform a continuity test on the light fuse. If the fuse reads continuity, place it back in the fuse clips. If it does not read continuity, it must be replaced with a new, identical amperage, fast blow fuse. Turn the motor and light switch in the square box to the on position, and test the chandelier. If the chandelier still does not light, proceed to step 4.
4. From where the ALL700RM is installed, call Aladdin Light Lift technical support Monday through Friday during normal business hours at (877) 287-4601. A voltage meter will be needed to further test the ALL700RM.

SYMPTOM: ALL700RM WILL NOT SHUT OFF PROPERLY AT CEILING POSITION:

Discontinue use immediately and contact Aladdin Light Lift at (877) 287-4601.

After all troubleshooting is complete, replace control board cover.

Warranty Agreement

Aladdin Light Lift, Inc. warrants its chandelier light lift unit for one year from the date of purchase. The warranty includes all parts provided the unit is installed properly by a licensed electrician. Labor charges will be the responsibility of the purchaser. If the unit does not operate properly, the purchaser must contact a factory authorized service technician approved by Aladdin Light Lift, Inc. to determine if the unit was installed properly. The technician will furnish a written report to the purchaser and Aladdin concerning any problem with the lift system which will be binding on all parties concerned. All defective parts must be returned to Aladdin Light Lift, Inc. for the warranty to apply. Any alteration or by-passing of the electrical or mechanical system of exceeding the wattage maximum (as indicated on the lift) will void the warranty and can result in an electrical hazard. This warranty agreement showing date of purchase and distributor must be filled out at www.aladdinlightlift.com/warranty-card.php within 30 days of purchase to validate the warranty. Call your distributor to obtain the name of a factory authorized technician in your area.